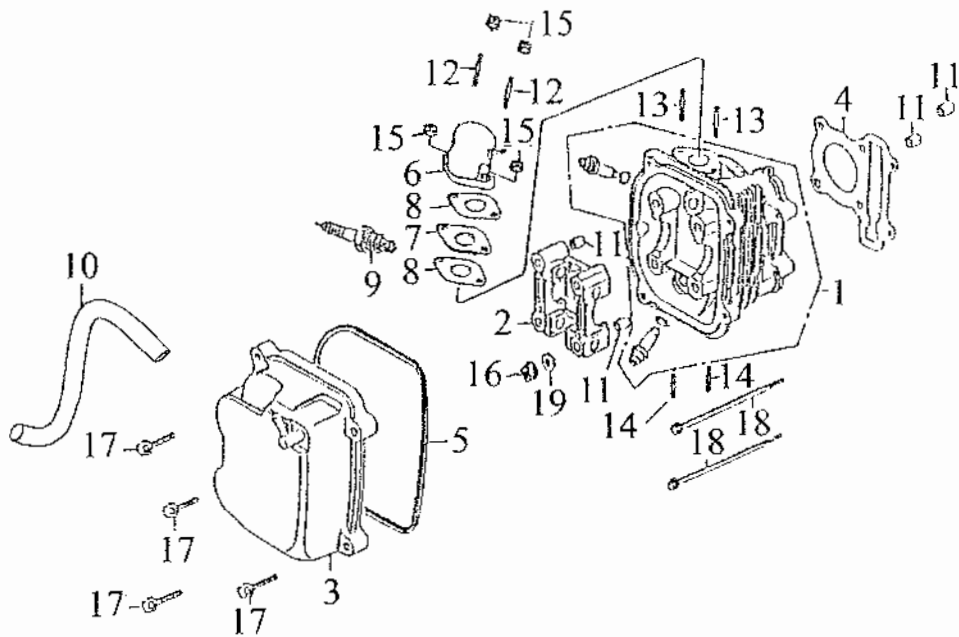
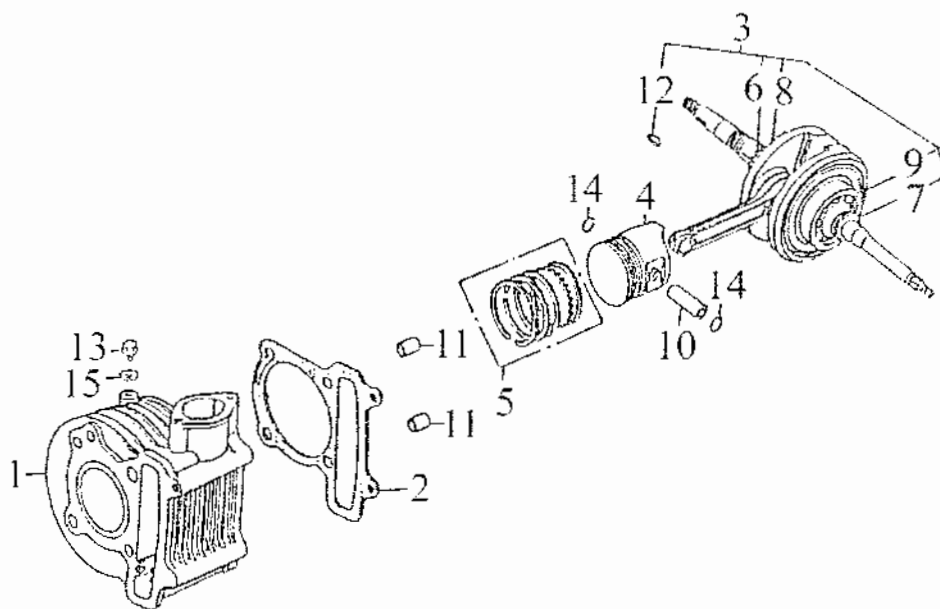


CYLINDER HEAD 汽缸頭



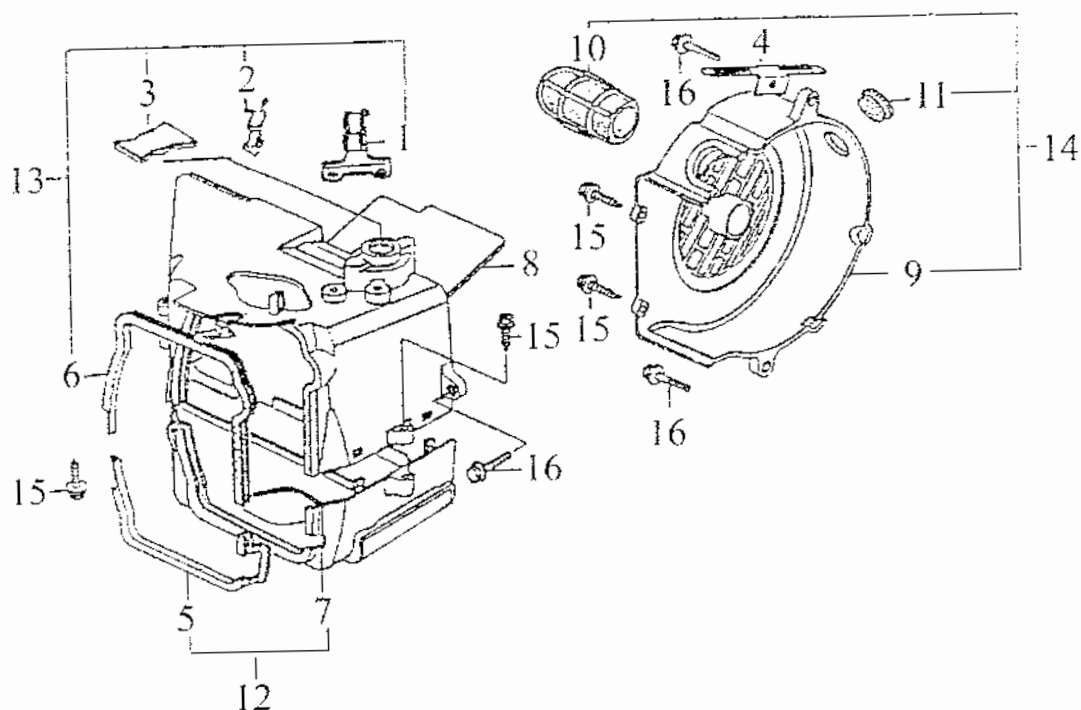
NO.	PARTS NO.	PARTS NAME		Q'TY	NOTE
項目	零件號碼	零件名稱		用量	備註
1	11121-GOS-00	HEAD COMP, CYLINDER Ø60	汽缸頭	1	
2	11131-GAT-00	HOLDER, CAMSHAFT	凸輪固定座	1	
3	11141-GOS-00	COVER COMP, CYLINDER HEAD	汽缸頭蓋	1	
4	11181-GOS-00	GASKET, CYLINDER HEAD Ø60	汽缸頭墊片	1	
5	11191-GAT-00	GASKET, HEAD COVER	汽缸頭蓋墊圈	1	
6	13555-SKT-00	MANIFOLD, INTAKE	進氣歧管	1	
7	13620-SKT-00	INSULATOR, CARBURETOR	化油器隔熱板	1	
8	13621-SKT-00	GASKET, CARBURETOR INSULATOR	隔熱板墊片	2	
9	62210-GAT-00	PLUG, SPARK (CR7HSA NGK)	火星塞	1	
10	90310-50350	HOSE	通氣管	1	
11	94410-10016	PIN, DOWEL 10*16	定位銷	4	
12	94717-06028-B	BOLT, STUD 6*28	雙頭螺絲	2	
13	94717-06062-C	BOLT, STUD 6*62	雙頭螺絲	2	
14	94717-08028-C	BOLT, STUD 8*28	雙頭螺絲	2	
15	95401-061006-B	NUT, FLANGE 6MM	凸緣螺帽	4	941.
16	95401-081208-C	NUT, FLANGE 8MM	凸緣螺帽	4	
17	96411-06025-C	BOLT, FLANGE 6*25	凸緣螺栓	4	
18	96411-06100-ØB	BOLT, FLANGE 6*100	凸緣螺栓	2	
19	97230-081823	WASHER, COTTER 8.6*17.8*2.3	銅墊圈	4	

二、CYLINDER CRANKSHAFT, PISTON 曲軸、活塞



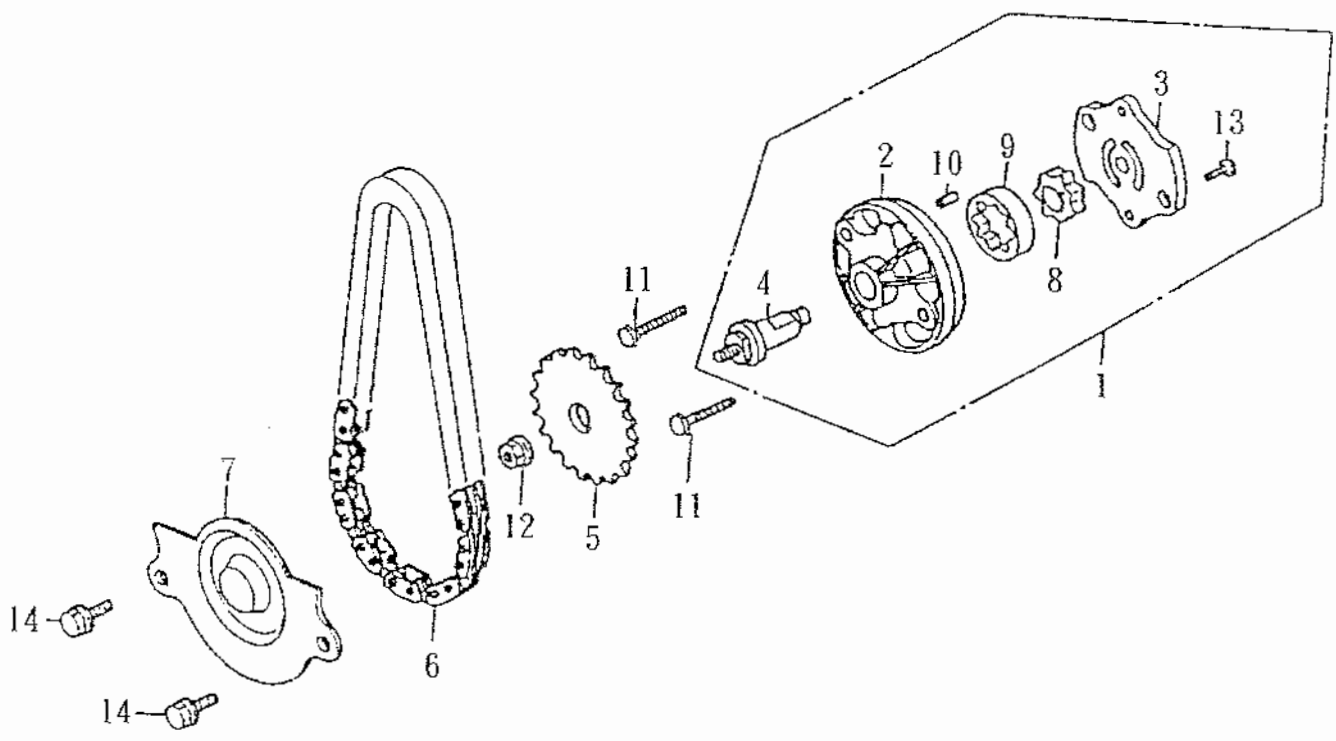
NO.	PARTS NO.	PARTS NAME		Q'TY	NOTE
項目	零件號碼	零件名稱		用量	備註
1	11111-GOS-00	CYLINDER COMP Ø60	汽缸	1	
2	11151-KAI-00	GASKET, CYLINDER	汽缸墊片	1	
3	11400-GOI-00	CRANKSHAFT COMP	曲軸總成	1	
4	11631-GOS-00	PISTON (STD) Ø60	活塞	1	
5	11636-GOS-00	RING SET, PISTON (STD) Ø60	活塞環組	1	
6	13178-GAT-00	GEAR, PUMP DRIVE 17T	油泵驅動齒輪	1	
7	14311-KAT-00	SPROCKET DRIVE 17T	驅動鏈輪	1	
8	93321-225615	BALL BEARING TMC04A86CS12	滾珠軸承	1	
9	93321-256217	BALL BEARING TMB305C*33CS15	滾珠軸承	1	
10	93510-101547	PIN, PISTON 10.2*15*47	活塞銷	1	
11	94410-10016	PIN, DOWEL 10*16	定位銷	2	
12	94420-04025	KEY, WOODRUFF 25*14*4	半圓鍵	2	
13	96414-06012-C	BOLT, FLANGE 6*12	凸緣螺栓	1	
14	97050-10017	CIRCLIP, PISTON PIN 15MM	活塞銷止動環	2	
15	97230-061212	WASHER, COPPER 6MM	銅墊圈	1	

三、FAN COVER, ENGINE SHROUD 風扇蓋、引擎罩蓋



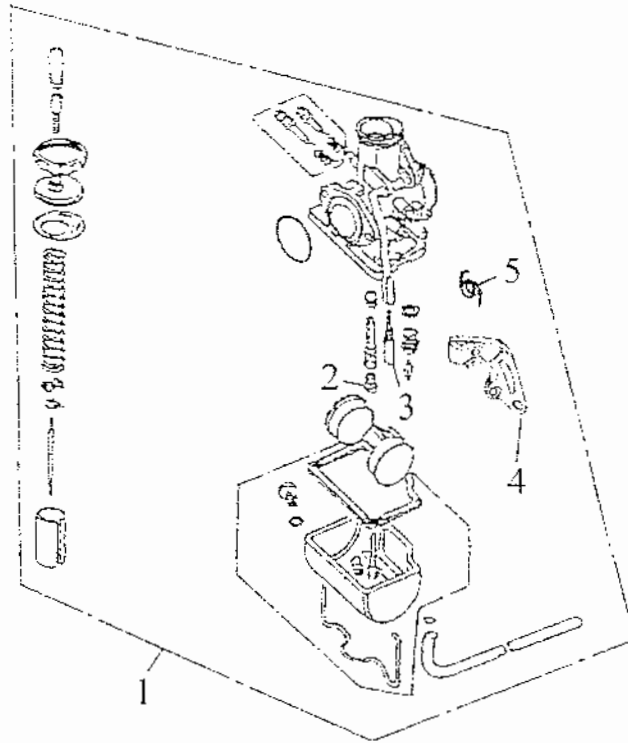
NO. 項目	PARTS NO. 零件號碼	PARTS NAME 零件名稱	QTY 用量	NOTE 備註
1	12631-GAT-00	CLAMPER, BREATHER TUBE	1	通氣管夾
2	12633-GAT-00	CLIP, HIGH TENSION CORD	1	高壓線夾
3	12635-GAT-00	GROMMET, SHROUD B	1	橡皮塞
4	12638-GAT-00	CLAMPER, STARTER CABLE	1	起動馬達導線夾
5	12641-GAT-00	SEAL, SHROUD A	1	汽缸護罩A封圈
6	12642-GAT-00	SEAL, SHROUD B	1	汽缸護罩B封圈
7	12651-GAT-00	SHROUD A	1	汽缸護罩A
8	12652-GAT-00	SHROUD B	1	汽缸護罩B
9	12653-GAT-00	COVER, FAN	1	風扇護罩
10	12654-GAT-00	DUCT, CARBURETOR COOLING	1	化油器冷卻導管
11	12655-GAT-00	GROMMET B, SIDE PANEL	1	橡皮塞
12	12661-GAT-00	SHROUD COMP A	1	汽缸護罩整體A
13	12662-GAT-00	SHROUD COMP B	1	汽缸護罩整體B
14	12663-GAT-00	COVER COMP, FAN	1	風扇護罩整體
15	96108-51616-K	SCREW, TAPPING 5*16	4	自攻螺絲
16	96411-06025-C	BOLT, FLANGE 6*25	3	凸緣螺栓

四、OIL PUMP 機油泵



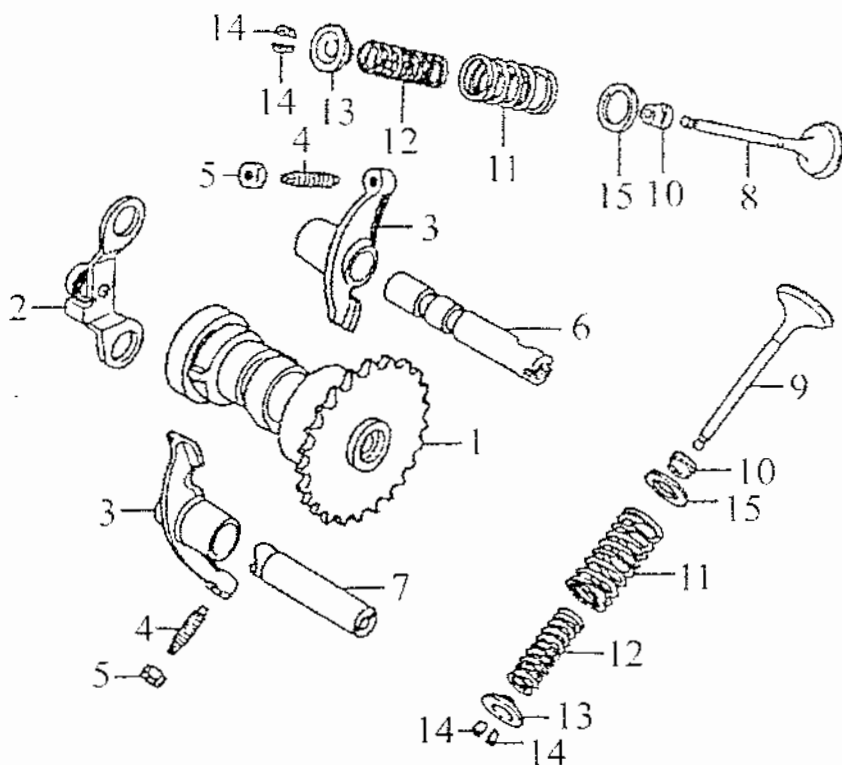
NO.	PARTS NO.	PARTS NAME		Q'TY	NOTE
項目	零件號碼	零件名稱		用量	備註
1	13100-KAI-00	PUMP ASS'Y, OIL	機油泵總成	1	
2	13111-KAI-00	BODY, OIL PUMP	油泵本體	1	
3	13116-GAT-00	PLANE OIL PUMP	平板	1	
4	13121-GAT-00	SHAFT, OIL PUMP	油泵軸	1	
5	13124-GAT-00	SPROCKET, OIL PUMP DRIVEN 23T	機油泵驅動齒輪	1	
6	13131-GAT-00	CHAIN, OIL PUMP 44L	機油泵驅動鏈條	1	
7	13136-GAT-00	SEPARATOR OIL	機油分隔板	1	
8	13141-KAI-00	ROTOR, OIL PUMP INNER	油泵內轉子	1	
9	13142-KAI-00	ROTOR, OIL PUMP OUTER	油泵外轉子	1	
10	94510-40007	PIN, DOWEL 4*6.5	定位銷	1	
11	94712-06030-B	SCREW, FLAT HEAD	十字孔埋頭螺絲	2	
12	95401-061006-C	NUT, FLANGE 6MM	凸緣螺帽	1	
13	96310-03012-B	SCREW, PAN HEAD 3*12	十字孔頭螺絲	1	
14	96411-06012-C	BOLT, FLANGE 6*12	凸緣螺栓	2	

五、CARBURETOR 化油器



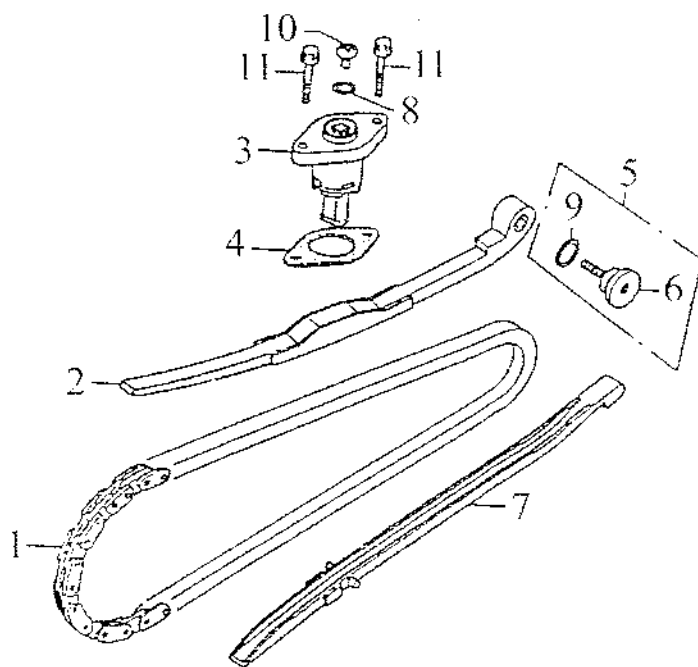
NO.	PARTS NO.	PARTS NAME	QTY	NOTE
項目	零件號碼	零件名稱	用量	備註
1	13201-STG-00	CARBURETOR ASS'Y	1	化油器總成
2	13240-STG-00	JET, MAIN #108	1	主噴口
3	13242-STG-00	JET, SLOW #40	1	引導噴口
4	13276-RAM-00	HOLDER, CHOKE CABLE	1	阻風導線固定座
5	13278-RAM-00	SPRING, TORSION	1	阻風閥扭轉彈簧

七、CAMSHAFT, VALVE 凸輪軸、門閥



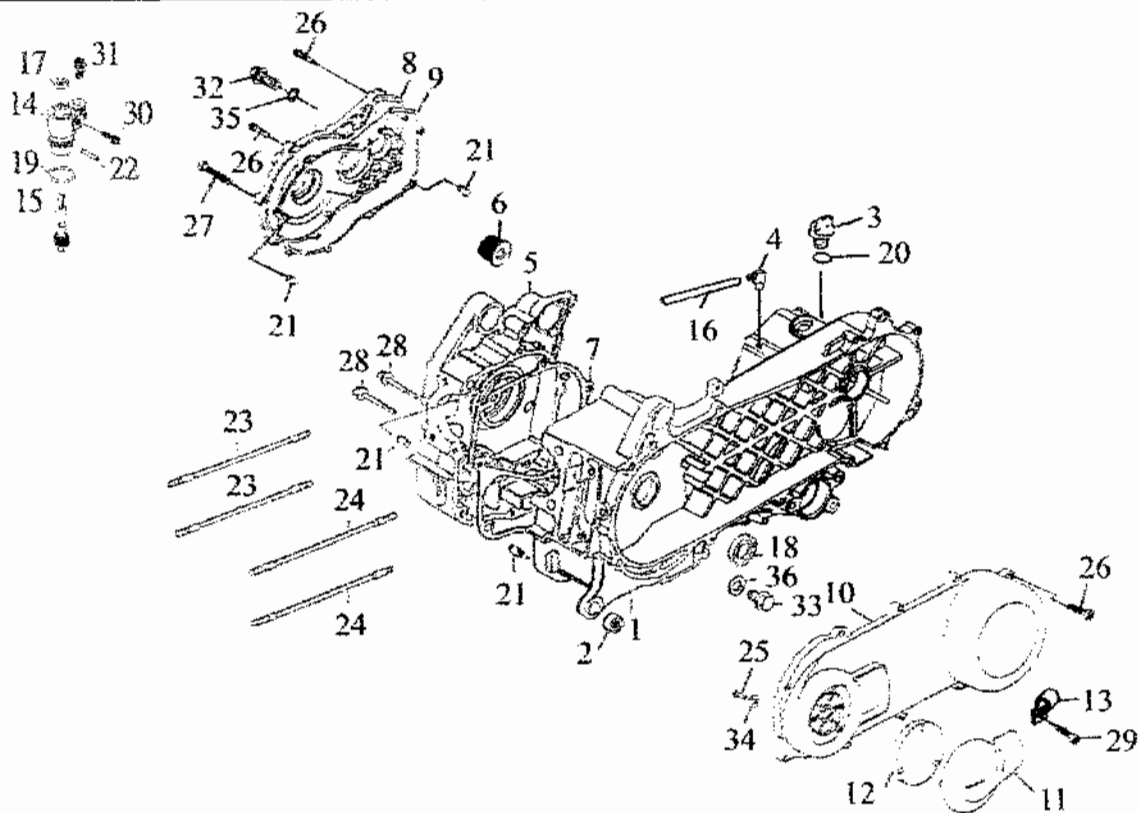
NO.	PARTS NO.	PARTS NAME		Q'TY	NOTE
項目	零件號碼	零件名稱		用量	備註
1	14100-KAI-00	CAMSHAFT COMP 34T	凸輪軸整體	1	
2	14150-GAT-00	PLATE COMP, STOPPER	止動板	1	
3	14431-GAT-00	ARM, VALVE ROCKER	門閥搖臂	2	
4	14436-GAT-00	SCREW, TAPPET ADJUSTING	挺桿調整螺絲	2	
5	14437-GAT-00	NUT, TAPPET ADJUSTING	調整螺絲固定螺帽	2	
6	14450-GAT-00	SHAFT, IN ROCKER ARM	進氣閥搖臂軸	1	
7	14452-GAT-00	SHAFT, EX ROCKER ARM	排氣閥搖臂軸	1	
8	14711-KAI-00	VALVE, IN	進氣閥	1	
9	14721-KAI-00	VALVE, EX	排氣閥	1	
10	14731-GAT-00	SEAL, VALVE STEM	門閥徑封	2	
11	14751-GAT-00	SPRING, VALVE OUTER	門閥外彈簧	2	
12	14761-GAT-00	SPRING, VALVE INNER	門閥內彈簧	2	
13	14771-GAT-00	RETAINER, VALVE SPRING	門閥彈簧保持器	2	
14	14781-GAT-00	COTTER, VALVE	門閥鎖扣	4	
15	97201-162308	SEAT, VALVE SPRING OUTER	彈簧座	2	

八、CAM CHAIN, TENSIONER 內鏈條、拉力桿



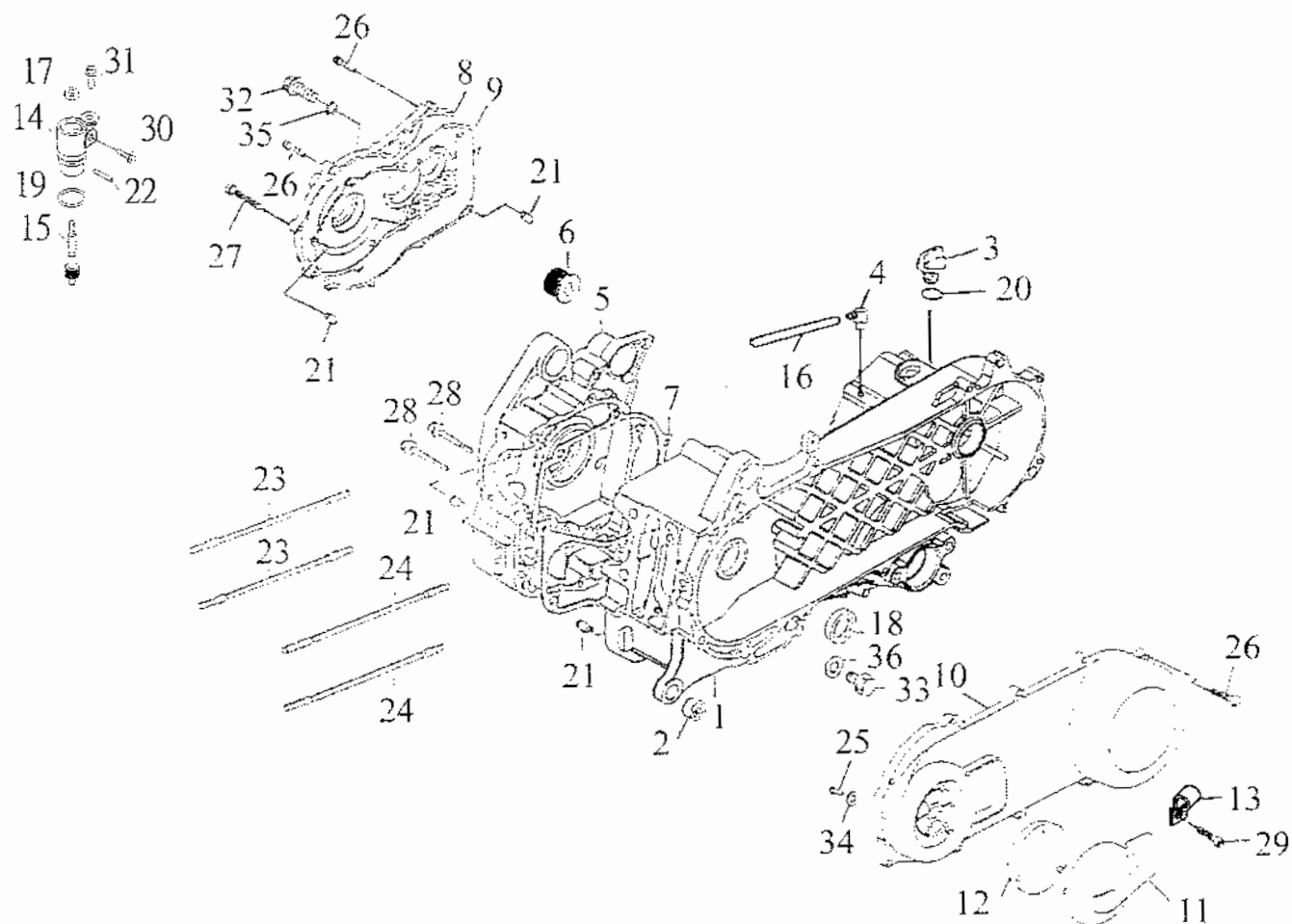
NO. 項目	PARTS NO. 零件號碼	PARTS NAME 零件名稱		QTY 用量	NOTE 備註
1	14501-GAT-00	CHAIN, CAM 90L	凸輪軸內鏈條	1	
2	14510-GAT-00	TENSIONER, CAM CHAIN	鏈條拉力桿	1	
3	14520-GAT-00	LIFTER ASS'Y, TENSIONER	鏈條調整器	1	
4	14523-GAT-00	GASKET, TENSIONER LIFTER	鏈條調整器墊片	1	
5	14530-GAT-00	PIVOT, CAM CHAIN TENSIONER ASS'Y	拉力桿螺絲組	1	
6	14531-GAT-00	PIVOT, CAM CHAIN TENSIONER	拉力桿螺絲	1	
7	14560-GAT-00	GUIDE COMP, CAM CHAIN	鏈條導件	1	
8	93210-15095	O-RING 9.5*1.5	護油圈	1	
9	93210-15152	O-RING 15.2*1.5	護油圈	1	
10	96316-06006-K	SCREW, PAN HEAD 6*6	十字孔頭螺絲	1	
11	96413-06022-C	BOLT, FLANGE 6*22	凸緣螺栓	2	

CRANKCASE 曲軸箱



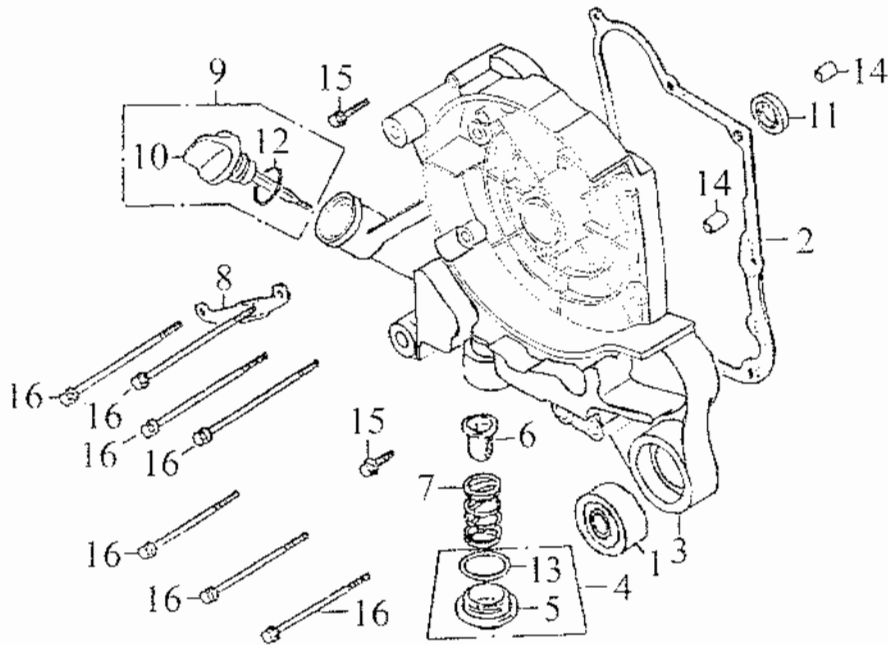
NO.	PARTS NO.	PARTS NAME	QTY	NOTE
項目	零件號碼	零件名稱	用量	備註
1	15111-GOS-00	CRANKCASE, LEFT	1	左曲軸箱
2	15118-GOS-00	BUSH, ENGINE HANGER 10*35*20/22	1	引擎吊架橡膠襯套
3	15163-NAF-00	PLUG, OIL	1	油標塞
4	15171-NAF-00	BREATHER	1	通風管接頭
5	15211-GOS-00	CRANKCASE, RIGHT	1	右曲軸箱
6	15218-GOS-00	BUSH, ENGINE HANGER RUBBER	1	排氣管固定螺帽
7	15251-KAI-00	GASKET, CRANKCASE	1	曲軸箱墊片
8	15311-GOO-00	COVER, GEARBOX	1	變速箱蓋
9	15351-GOO-00	GASKET, GEARBOX COVER	1	變速箱蓋墊片
10	15411-GOT-00	COVER, CRANKCASE	1	機箱蓋
11	15432-GOO-00	GUIDE, ELEMENT	1	濾網導件
12	15436-GOO-00	ELEMENT	1	曲軸箱濾清網
13	24201-GOT-00	HOLDER, GEAR CABLE	1	排檔鋼索固定座
14	42563-GOO-00	GEAR, SPEEDOMETER BODY	1	速度表齒輪本體
15	45838-CRS-00	GEAR, SPEEDOMETER 12T	1	速度表齒輪
16	90310-50300	HOSE	1	通氣管
17	93110-06114	OIL SEAL VC 6*11*4	1	油封
18	93110-25387	OIL SEAL TC 25*38*7	1	油封
19	93210-19178	O-RING 1.9*17.8	1	護油圈
20	93210-24140	O-RING 2.4*14	1	護油圈
21	94410-08014	PIN, DOWEL	4	定位銷
22	94510-30018	PIN, DOWEL 3*17.8	1	滾針

CRANKCASE 曲軸箱



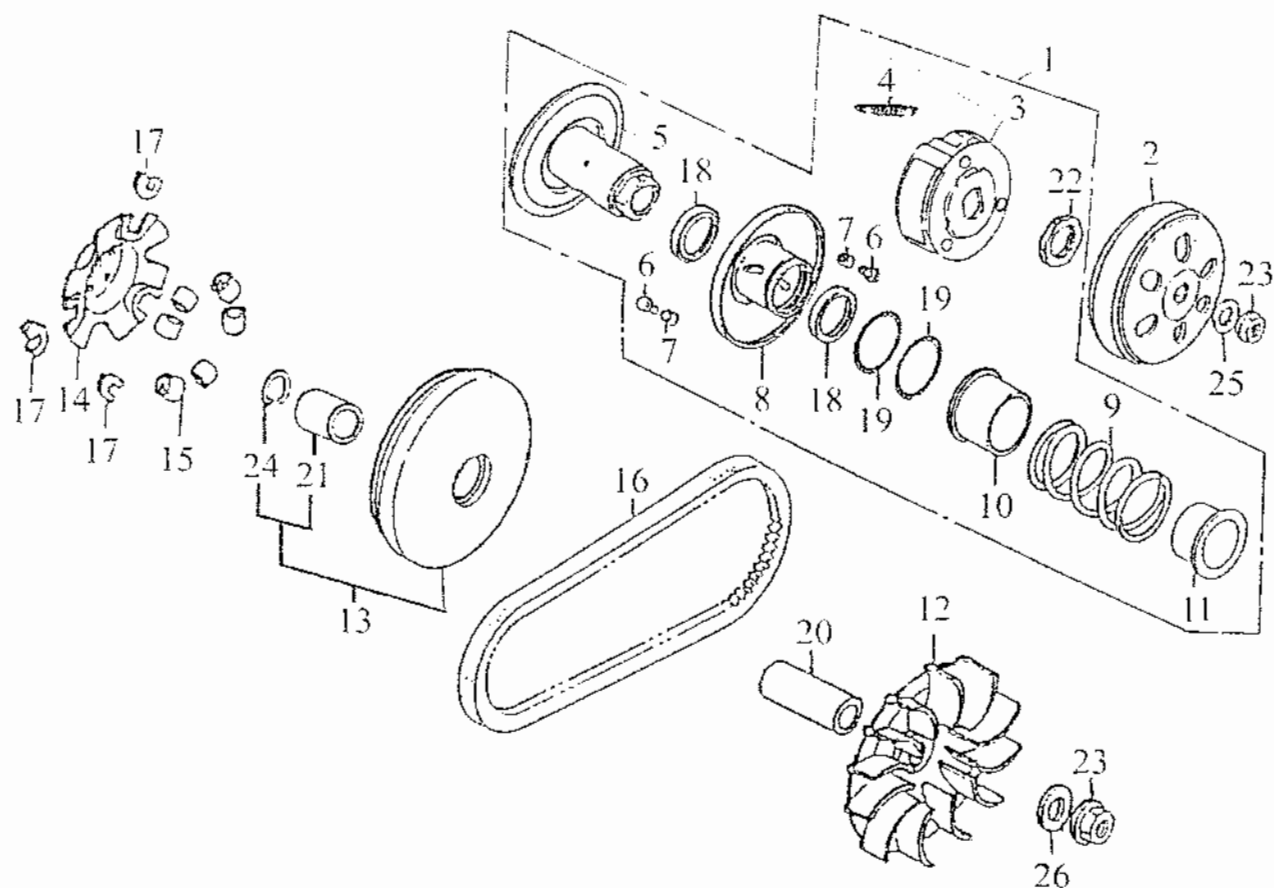
NO. 項目	PARTS NO. 零件號碼	PARTS NAME 零件名稱		QTY 用量	NOTE 備註
23	94717-08188-C	BOLT, STUD 8*187.5	雙頭螺絲	2	
24	94717-08196-C	BOLT, STUD 8*195.5	雙頭螺絲	2	
25	96110-41218-K	SCREW, TAPPING	自攻螺絲	3	
26	96310-06025-B	SCREW, PAN HEAD	十字孔頭螺絲	15	
27	96310-06030-B	SCREW, PAN HEAD	十字孔頭螺絲	2	
28	96411-06050-C	BOLT, FLANGE 6*50	凸緣螺栓	2	
29	96414-06016-B	BOLT, FLANGE	凸緣螺栓	1	
30	96414-06020-B	BOLT, FLANGE	凸緣螺栓	1	
31	96414-06025-B	BOLT, FLANGE	凸緣螺栓	1	
32	96414-10016-B	BOLT, FLANGE	凸緣螺栓	1	
33	96414-12015-C	BOLT, FLANGE 12*15	凸緣螺栓	1	
34	97201-041210-K	WASHER, PLATE	平面墊圈	3	
35	97230-102016	WASHER, COPPER 10.3*20*1.6	銅墊圈	1	
36	97231-122020	WASHER, ALUMINUM 12.3*20*2.0	鋁墊圈	1	

十、RIGHT CRANKCASE COVER 右曲軸箱蓋



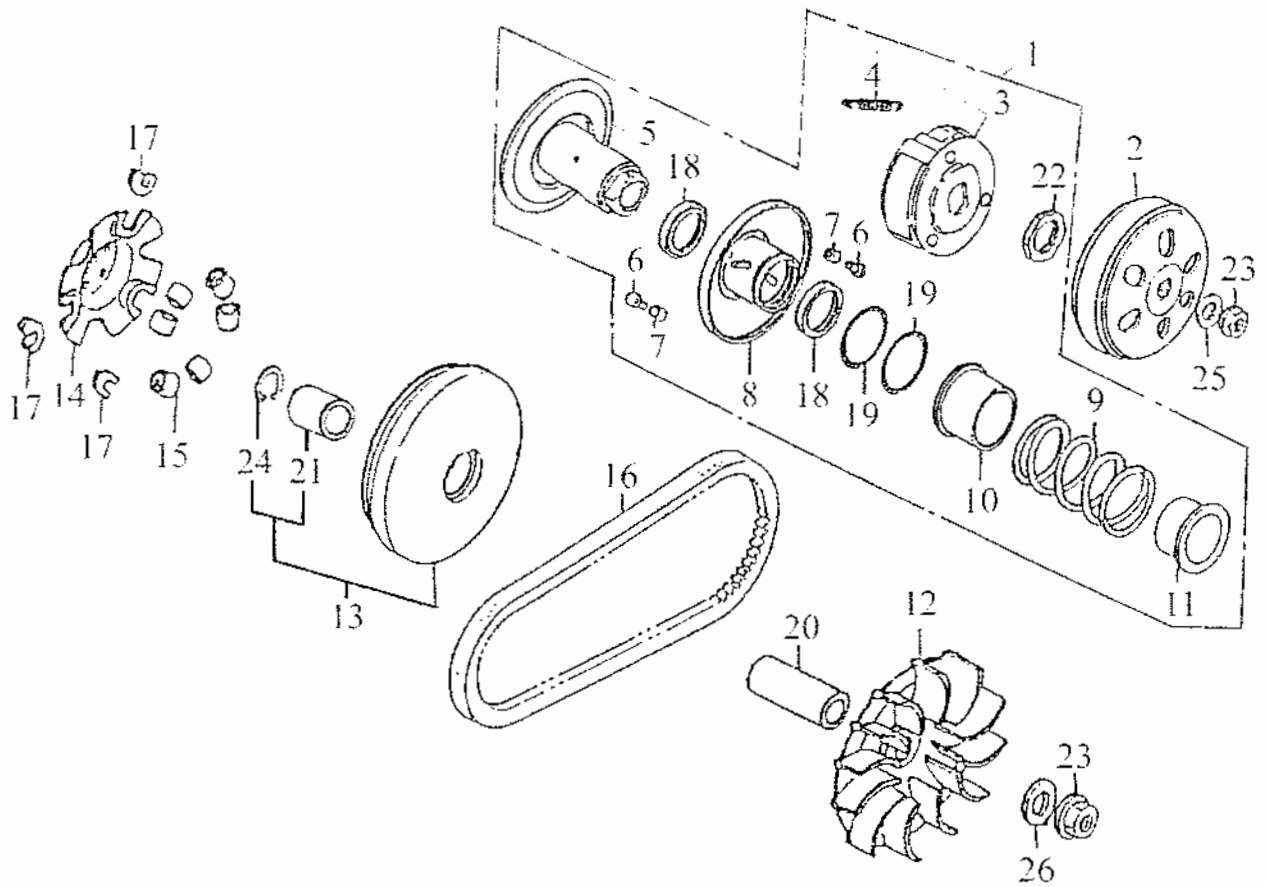
NO.	PARTS NO.	PARTS NAME	QTY	NOTE
項目	零件號碼	零件名稱	用量	備註
1	15118-GOS-00	BUSH, ENGINE HANGER 10*35*20/22	1	引擎吊架橡膠襯套
2	15221-KAT-00	GASKET, R. CRANKCASE COVER	1	右曲軸箱蓋墊片
3	15511-SKI-00	COVER, R. CRANKCASE COMP	1	右曲軸箱蓋
4	15531-GAT-00	CAP ASS'Y, TAPPET ADJUSTING HOLE	1	濾油網螺帽蓋組
5	15533-GAT-00	CAP, TAPPET ADJUSTING HOLE	1	濾油網螺帽蓋
6	15536-GAT-00	SCREEN, OIL FILTER	1	濾油網
7	15538-GAT-00	SPRING, OIL FILTER SCREEN	1	濾油網彈簧
8	15541-GAT-00	CLAMPER, A.C.G ENERATOR CORD	1	A.C.G 線夾
9	15561-GAT-00	GAUGE ASS'Y, OIL LEVEL	1	機油尺組
10	15563-GAT-00	GAUGE, OIL LEVEL	1	機油尺
11	93110-19305	OIL SEAL 19.8*30*5	1	油封
12	93210-30180	O-RING 18*3	1	護油圈
13	93210-32308	O-RING 30.8*3.2	1	護油圈
14	94410-08014	PIN, DOWEL 8*14	2	定位銷
15	96411-06032-C	BOLT, FLANGE 6*32	2	凸緣螺栓
16	96411-06100-C	BOLT, FLANGE 6*100	7	凸緣螺栓

十一、CLUTCH 離合器



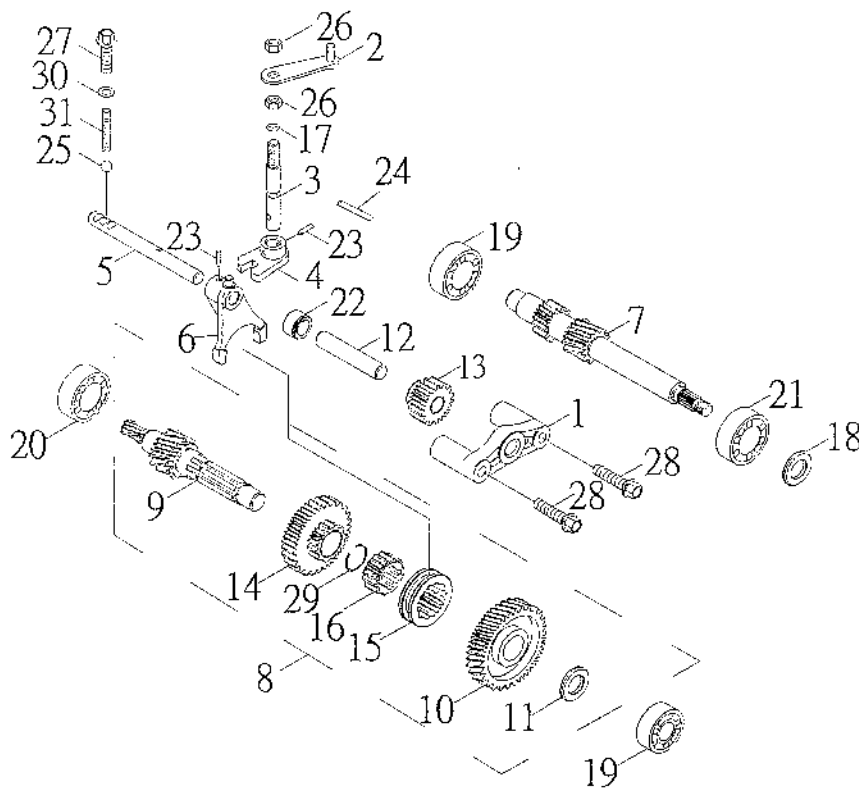
NO.	PARTS NO.	PARTS NAME	Q'TY	NOTE
項目	零件號碼	零件名稱	用量	備註
1	25602-KAI-00	PULLEY ASS'Y, DRIVEN	1	副槽輪總成
2	25611-KAI-00	OUTER, CLUTCH	1	離合器殼整體
3	25620-KAI-00	PLATE ASS'Y, DRIVEN	1	離合器牽轉具總成
4	25626-KAI-00	SPRING, CLUTCH	3	離合器重量彈簧
5	25660-GAT-00	FACE ASS'Y, DRIVEN	1	副固定槽輪組
6	25664-GAT-00	PIN, ROLLER GUIDE	3	導銷
7	25665-GAT-00	ROLLER, GUIDE	3	滾子
8	25670-GAT-00	FACE COMP, MOVABLE DRIVEN	1	副滑動槽輪
9	25680-KAI-00	SPRING, DRIVEN FACE	1	壓縮彈簧
10	25684-GAT-00	COLLAR, SEAL	1	副彈簧座
11	25688-GAT-00	COLLAR, SPRING	1	套筒
12	25711-KAT-00	FACE, DRIVE	1	主固定槽輪
13	25720-GAT-00	FACE COMP, MOVABLE DRIVE	1	主滑動槽輪整體
14	25723-GAT-00	PLATE, RAMP	1	凸輪板
15	25732-KAI-00	ROLLER SET, WEIGHT (13g)	6	重錘滾子
16	25741-GAT-00	BELT, DRIVE 743(763)*20*30°	1	皮帶
17	25753-GAT-00	PIECE, SLIDE	3	滑件
18	93110-34414	SEAL, DRIVEN FACE 34*41*4	2	油封
19	93210-19367	O-RING 36.7*1.9	2	護油圈
20	93510-152451	BOSS, DRIVE FACE	1	主滑動槽輪襯套
21	93510-242830	BOSS, DRIVE FACE	1	襯套
22	95201-283904-B	NUT, HEXAGON 28MM	1	六角螺帽

十一、CLUTCH 離合器



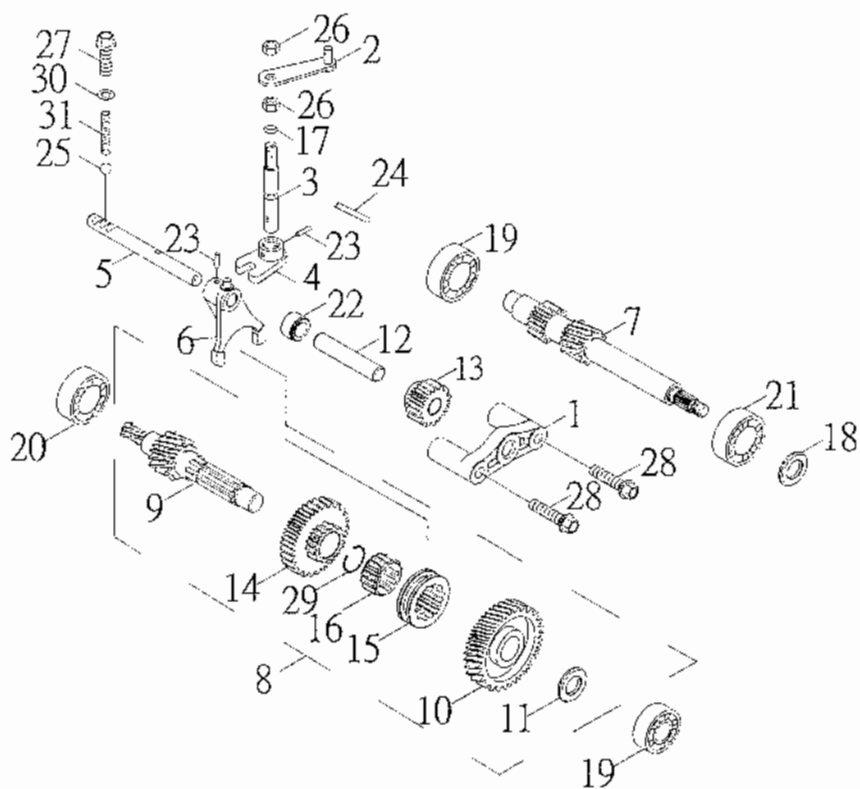
NO.	PARTS NO.	PARTS NAME	QTY	NOTE
項目	零件號碼	零件名稱	用量	備註
23	95401-121908-C	NUT, FLANGE 12MM	2	凸緣螺帽
24	97050-10030	CIRCLIP (30.5MM)	1	止動環
25	97201-122523-C	WASHER, PLANE	1	平面墊圈
26	97201-152450-C	WASHER, PLANE	1	平面墊圈

十二、TRANSMISSION 傳動機構



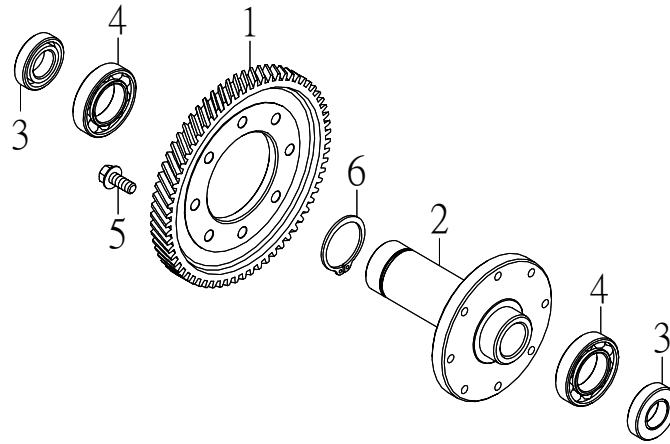
NO.	PARTS NO.	PARTS NAME	QTY	NOTE
項目	零件號碼	零件名稱	用量	備註
1	15332-GOO-00	IDLE GEAR BASE	1	惰齒輪座
2	24206-GOO-00	SHIFT LEVER	1	變速拉桿
3	24216-GOT-00	CAM AXLE, GEAR SHIFT	1	變速凸輪軸
4	24226-GOO-00	CAM, GEAR SHIFT	1	齒輪變速凸輪
5	24236-GOO-00	SHAFT, GEAR SHIFT FORK	1	變速叉樞軸
6	24238-GOO-00	FORK, GEAR SHIFT	1	齒輪變速叉
7	26111-GOT-00	GEAR, PRIMARY DRIVE 15T/16T	1	主驅動軸
8	26410-GOT-00	MAIN AXLE COMP	1	惰輪軸總成
9	26411-GOT-00	GEAR, IDLE 15T-6T	1	惰輪軸
10	26412-GOO-00	GEAR, FORWARD 41T	1	前進齒輪
11	26413-GOO-00	WASHER, GEAR	1	齒輪墊圈
12	26415-GOO-00	AXLE, IDLE GEAR	1	倒檔惰齒輪軸
13	26416-GOO-00	IDLE GEAR, REVERSE 20T	1	倒檔惰齒輪
14	26426-GOO-00	GEAR, REVERSE 37T	1	倒檔齒輪
15	26430-GOO-00	CLUTCH, DOG	1	變檔鼓
16	26440-GOO-00	GEAR, TRANSMISSION	1	換檔齒輪
17	93110-10205	OIL SEAL TC 10*20*5	1	油封
18	93110-20326	OIL SEAL TC 20*32*6	1	油封
19	93320-153511S	BALL BEARING 6202CS05/2A	2	滾珠軸承
20	93320-174714M	BALL BEARING 6303CM/2A	1	滾珠軸承
21	93320-2047143	BALL BEARING 6204C3	1	滾珠軸承
22	93510-121909	SPACER, IDLE GEAR	1	惰齒輪隔管

十二、TRANSMISSION 傳動機構



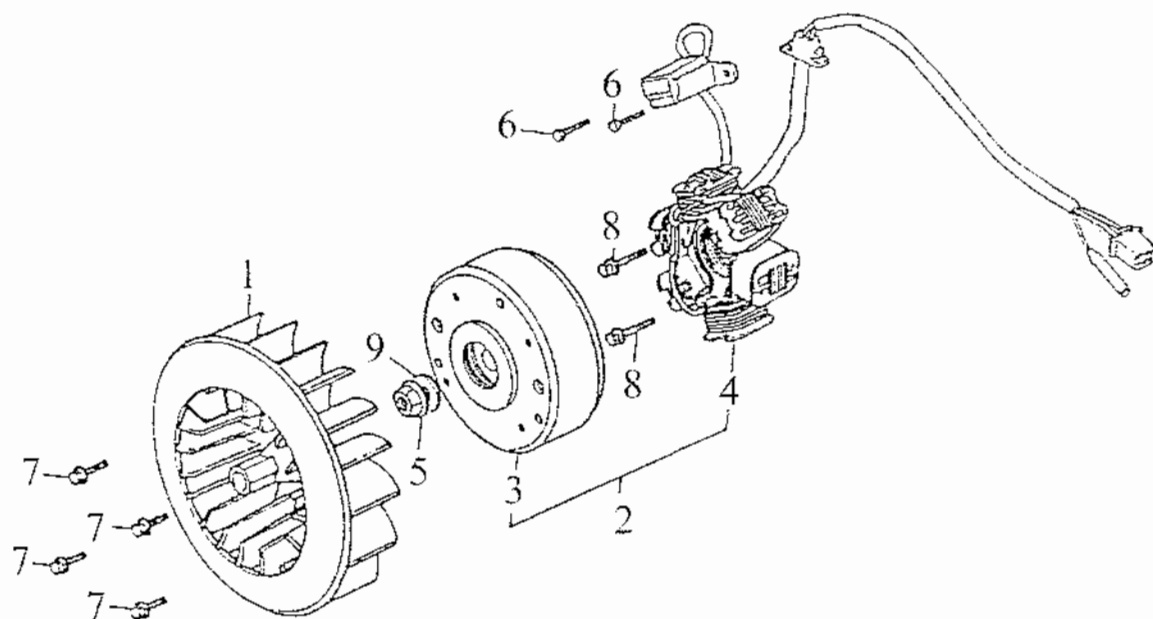
NO.	PARTS NO.	PARTS NAME	QTY	NOTE
項目	零件號碼	零件名稱	用量	備註
23	94430-30018-K	PIN, DOWEL	2	彈簧銷
24	94510-45045	PIN, DOWEL 4.5*44.7	1	平行銷
25	94520-06350	BALL	1	鋼珠
26	95201-081406-B	NUT, HEXAGON	2	六角螺帽
27	96414-08016-B	BOLT, FLANGE	1	凸緣螺栓
28	96414-08050-B	BOLT, FLANGE	2	凸緣螺栓
29	97012-20012	CIRCLIP	1	C形同心扣環
30	97231-081620	WASHER, ALUMINUM	1	鋁墊圈
31	97501-10034	SPRING, COMPRESSION	1	壓縮彈簧

DRIVE GEAR 傳動齒輪



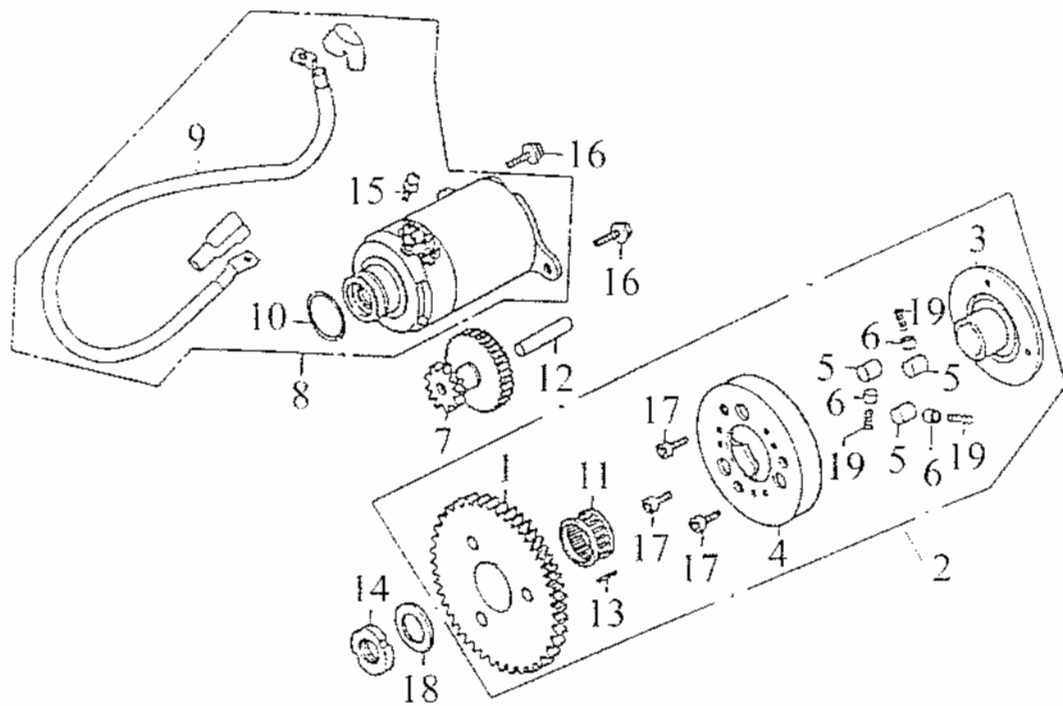
NO.	PARTS NO.	PARTS NAME	Q'TY	NOTE
項目	零件號碼	零件名稱	用量	備註
1	26422-GOT-00	DRIVE GEAR 67T	1	傳動齒輪
2	26610-GOT-00	SEAT, DRIVE GEAR	1	傳動齒輪座
3	93110-20358	OIL SEAL TC 20*35*8	2	油封
4	93320-305513M	BALL BEARING 6006CM/2A	2	滾珠軸承
5	96414-06016-B	BOLT, FLANGE	8	凸緣螺栓
6	97010-30015-K	CIRCLIP	1	C型扣環

十四、GENERATOR 發電機



NO.	PARTS NO.	PARTS NAME	Q'TY	NOTE
項目	零件號碼	零件名稱	用量	備註
1	12611-GAT-00	FAN	1	風扇
2	35500-GAT-00	GENERATOR ASS'Y	1	發電機總成
3	35550-GAT-00	FLYWHEEL COMP	1	轉子總成
4	35560-GAT-00	STATOR COMP	1	發電機座總成
5	95401-121711-C	NUT, FLANGE 12MM	1	凸緣螺帽
6	96210-05012-C	BOLT, HEXAGON 5*12	2	六角螺栓
7	96411-06018-C	BOLT, FLANGE 6*18	4	凸緣螺栓
8	96411-06020-C	BOLT, FLANGE 6*20	2	凸緣螺栓
9	97201-122523-C	WASHER, PLATE 12MM	1	平面墊圈

十五、STARTING MOTOR 起動馬達



NO.	PARTS NO.	PARTS NAME		Q'TY	NOTE
項目	零件號碼	零件名稱		用量	備註
1	23524-GAT-00	GEAR, STARTING CLUTCH	起動輪	1	
2	23570-GAT-00	STARTING CLUTCH ASS'Y	起動離合器總成	1	
3	23572-GAT-00	FLANGE, STARTING CLUTCH	起動離合器凸輪	1	
4	23574-GAT-00	BASE, STARTING CLUTCH	起動離合器座	1	
5	23576-GAT-00	ROLLER 10*10	起動離合器滾珠	3	
6	23578-GAT-00	CAP, STARTING CLUTCH SPRING	起動離合器彈簧套	3	
7	23612-GAT-00	GEAR, IDLE	惰齒輪	1	
8	35800-GAT-00	MOTOR ASS'Y, STARTER	起動馬達總成	1	
9	35831-GAT-00	CABLE, STARTER MOTOR	起動馬達導線	1	
10	93210-31250	O-RING 24.4*3.1	護油圈	1	
11	93310-2832170	NEEDLE BEARING 28*32*17	滾針軸承	1	
12	94510-100046	SHAFT, IDLE GEAR	惰齒輪軸	1	
13	94510-50006	PIN, DOWEL 5*6	定位銷	1	
14	95601-223206-B	NUT, LOCK 22MM	環形螺帽	1	
15	96312-05008-C	SCREW, PAN HEAD WITH WASHER 5*8	十字孔頭螺絲附墊圈	1	
16	96411-06016-C	BOLT, FLANGE 6*16	凸緣螺栓	2	
17	96510-06010-B	BOLT, SOCKET 6*10	六角承窩螺絲	3	
18	97201-223125	WASHER, PLATE 22MM	平面墊圈	1	
19	97501-03035	SPRING, STARTING CLUTCH	起動離合器彈簧	3	